

# ASSEMBLY INSTRUCTIONS

## POSITION THE VALIRYO

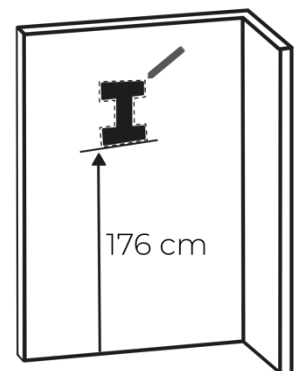
### INSTALLATION AID AS SHOWN

1. Surface preparation: All traces of silicone, grease, rust, etc. must have been completely removed. Clean the surface on which the assembly aid is to be installed. First clean the area THOROUGHLY with alcohol (iso-propanol) and a clean microfiber cloth.

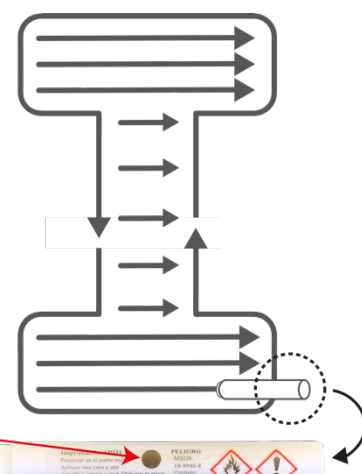
Attention the assembly aid can only be used on absolutely smooth surfaces:  
for example: Tiles, porcelain, marble, granite or glass:.

Never use on: Uneven or roughly rough tiles, Slate, painted or varnished walls, varnished wood.

2. Measure 176 cm from the floor to the lower edge of the assembly aid. Position the assembly aid (as shown) with the aid of a spirit level.  
Then draw the outline of the assembly aid with a pencil.  
Please ensure exact alignment.



3. Then clean the surface thus marked, on which the assembly aid is to be glued later, with the enclosed UV primer pen. The primer liquid is applied via the "felt brush".  
ATTENTION! Avoid circular movements.  
Always use the primer pen horizontally or vertically in the direction of the marked outer edges.

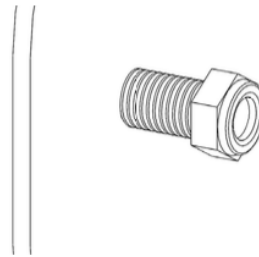


**IMPORTANT!**  
**Press on the black dot in the middle of the UV primer pen, until it pops.**

4. If the room temperature is below 23°C, please wait 5 minutes until the cleaned surface (tiles) is completely dry. You can also use a standard hair dryer to dry the surface.

5. Then remove the foil from the adhesive strips on the back of the assembly aid.  
**Attention!** Please take care NOT to touch the exposed adhesive strips with your fingers..
6. Then heat the exposed adhesive strips with a standard hair dryer for approx. 15 to 20 seconds.
7. Now you can place the assembly aid EXAKTLY on the marked surface and press the assembly plate on, with strong pressure (2 kg/cm<sup>2</sup>) for at least 2 minutes.
8. After 2 minutes, 30% of the total adhesion has already been achieved. Wait until the bond has cured - i.e. wait at least 8-12 hours before installing Valiryo. At a room temperature of ~23°C, 100% adhesion will be reached after 72 hours at the latest..

9. Then loosen the nuts a little.  
But do not remove the nuts.



10. Now you can hang the air panel on the lower 2 screws.
11. Then you can hang the motor unit on the two upper screws. Guide the ribbon cable through the slot in the air panel.
12. Now the nuts can be tightened.