

# Assembly and Instruction manual

---






**VALIRYO**   
The After Shower Experience

## Index

Before you start: .....	4
2 Instructions for use.....	5
3 Benefits of using VALIRYO.....	9
3 Place of use permissible operating conditions .....	12
4 Indication of the material.....	16
5 Assembly and installation instructions.....	18
6 Electrical installation.....	27
7 Existing risks of use and contraindications and security warnings.....	31
8 Cleaning / disinfection / maintenance instructions .....	34
9 Technical data/parameters.....	35



### Contact details

	 Email	 Phone	 Address
<b>Sales:</b>	<a href="mailto:info@Valiryo.de">info@Valiryo.de</a>	+49 6251 98888-50	Valiryo GmbH Robert-Bosch-Str. 20a, 64683 Einhausen Germany
<b>Technical service</b>	<a href="mailto:sat@valiryo.com">sat@valiryo.com</a>	+34 948 073 155	Poligono Comarca II Calle F, 14 31191 Barbatain - Navarra - Spain
<b>Headquarters:</b>	<a href="mailto:info@Valiryo.com">info@Valiryo.com</a>		

Valiryo is manufactured by Valiryo Technologies S.L. CIF: ES B71157135



Follow us on social media

Connect, follow and have conversation with us



# Before you start:

Please retain all original boxes and packaging in the unlikely event you need to make a return or warranty claim at a later date:

Always adhere to instructions of both install and build operations.

Always check with your local authority/qualified electrician for the location of electrical power source requirements.

Always install in accordance with local bathroom/wet areas regulations.

If any doubts prevail or issues you are uncertain of, please call your Valiryo distributor or visit [www.Valiryo.com](http://www.Valiryo.com) and contact us. Please note this service assists with product detail only.

## EASY DRYING FOR EVERYONE

### Valiryo Care

Valiryo makes body drying easier for people with some kind of limitation or mobility problem and for those who, with some kind of skin condition, cannot use a towel. It is an air column that is installed in the bathroom and dries you completely, effectively and safely. Contact us for more information.



Read this manual in order to guarantee maximum security and the best proper use of Valiryo®.

# 2 Instructions for use



## Control keypad

Up to 16 different combinations of intensity and temperature available.



### Automatic activation

If the light is on, Valiryo will activate automatically only by stepping towards it. The air flow will stop a few seconds after having stepped away from de sensor.



### Manual activation

Press the button to start and stop the air flow manually. If this option is on, self-winding activation will turn off.



### Air flow activation



Turn up



Turn down



### Temperature



Turn up



Turn down

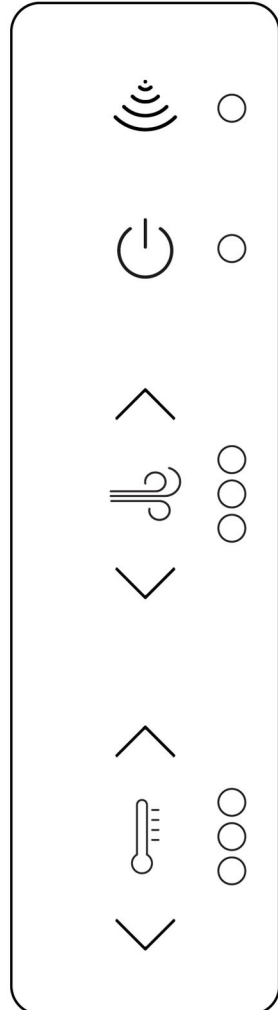


Figure 1: Control Pad/keyboard

## 2 Instructions for use

### Activation (start / stop)



#### Automatic activation:

Valiryo incorporates a distance measuring sensor unit. The sensor uses a triangulation method to detect the proximity of the user and therefore is perfect for being used as a touch-less switch for sanitary equipment.



The sensor gives many users additional autonomy, by activating the Valiryo when the person is positioned in front of it, and turning itself off when the person separates from Valiryo body dryer.

The sensor detects any person or obstacle higher than 1.15 meters.

Led "ON" next to the sensor icon in the keyboard represents the sensor is activate and operative.



#### Manual activation:

Press the button to start and stop the Valiryo Body dryer.

Independently of the activation mode used the dryer will start with the working parameters used the last time the dryer was operated.

### Control your heat and flow preferences

Valiryo features an innovative and patented air diffusion technology. This enables the user to leave the shower area completely dry without having to use a towel, within ~3min.



#### Air flow:

Valiryo control keypad offer four levels of air flow to graduate the flow to your personal preference and needs.



Three LEDs lighting : Max flow

Two LEDs lighting : Medium-high flow

One LED lighting : medium-low flow

No LED lighting : Minimum flow

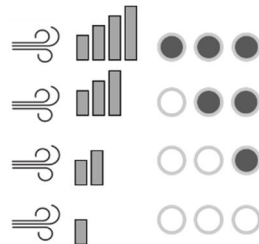


Figure 2: Air flow control

## 2 Instructions for use



### Temperature:

Valiryo control keypad offer four levels of air temperature to graduate the air temperature to your personal preference and needs.

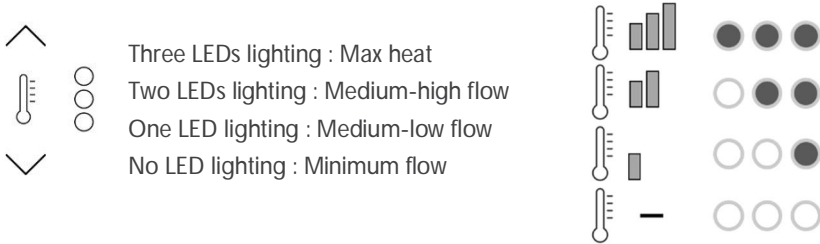


Figure 3: Temperature control

---

Note: the air has a heating-up process that takes about 10 seconds. Initial flow coming out might feel cold because your body is wet and therefore heat transfer is high. It is recommended to pre-heat Valiryo 20 seconds before using it.

Using low air flow with high temperature will maximize the temperature of the air. Therefore, the combination of low air flow + high temperature is perfect for the initial drying phase to have a pleasant and relaxing drying experience.

Working preferences are easy and intuitive. Valiryo offers 16 temperature and flows intensity combinations. Valiryo will remember the user last selection.

## 2 Instructions for use



How to use Valiryo for your best possible body drying experience



### — Step 1 —

Turn on Valiryo 20 seconds before you start using it.



### — Step 2 —

Choose the configuration with lowest air speed and highest temperature.



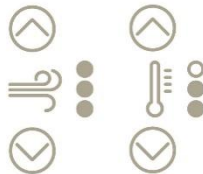
### — Step 3 —

In the meantime, remove the largest water drops on your shoulders and chest with your bare hands before using Valiryo.



### — Step 4 —

Position yourself in front of Valiryo and approach the nearest air diffuser with your mouth (maintain a distance of about 2cm). You will feel a source of heat is created that will soon spread out over your entire body.



### — Step 5 —

Set the temperature and airspeed as you wish.



### — Step 6 —

Relax and enjoy the warm air flow.

After drying, you will not only feel deeply relaxed, but also notice a softer and more hydrated skin with each application. And what's more: With Valiryo, post-shower sweating will finally be a thing of the past. **Congratulations on a safer as well as more hygienic, efficient and sustainable way of body drying**



## 3 Benefits of using VALIRYO

- Reduce the use of towels.
  - Germs
  - Time / Effort
  - Economic savings. Water bill, electrical bill
  - Environmental impact



Water used



Electricity



Laundry chemical detergents



CONTRIBUTE TO  
saving water &  
CO<sub>2</sub> reduction  
BY AVOIDING THE  
towel washing

- More hygienic
- Easy and ergonomic
- Accessible
- Reduce the risk of falling
- Natural
- Smooth and hydrated skin
- Relaxed muscles
- Stop with post-training sweating



Relax & Wellness



Ecological



Greater Autonomy



Convenient



Hygienic



Supportive



Innovative product



Antibacterial treatment



Easy installation



# 3 Benefits of using VALIRYO

## Additional benefits

Valiryo provides an effortless drying experience that provides greater autonomy to all users. You can dry your entire body without the need to use traditional towels and therefore bending and stretching your body. Thanks to Valiryo you will no longer depend on your balance, flexibility, muscular power, and movement ability to dry yourself with a towel. Valiryo provides greater autonomy in the drying process, increasing privacy and independence.

## Additional tips dedicated for users with limited mobility

- A-1** Install additional support elements such as grab bars.
- A-2** Use the motion sensor to control the switch on and off of the unit see *Automatic activation*:  
in page 6 for further explanation on how to use the automatic "ON" "OFF" option in the control keyboard.)
- A-3** Use wet chairs like the shower chairs in combination with support elements.
- A-4** Use wheelchairs in combination with support elements.

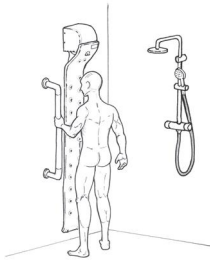


Figure 4: Support element (A-1)



Figure 5: Motion sensor (A-2)



Figure 6: Support elements and wet chairs (A-3)

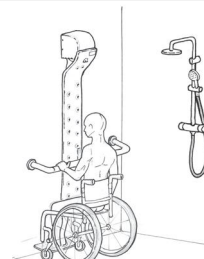


Figure 7: Wheelchairs / wet chairs (A-4)

### 3 Benefits of using VALIRYO

#### Additional tips dedicated for users with skin issues

If your skin is especially sensitive to friction, Valiryo will offer you a pleasant and painless way of drying your body.

Avoid the harmful friction produced by the towel while rubbing your skin that might result in enhanced skin issues as well as infections or fungi.

**B-1** Configure Valiryo to work and meet your skin needs.

**B-2** Do not expose your skin to high temperatures and high flow rates for long periods.

Contact your skin doctor to know your skin to check if you have any limitations or medical recommendations to be followed.

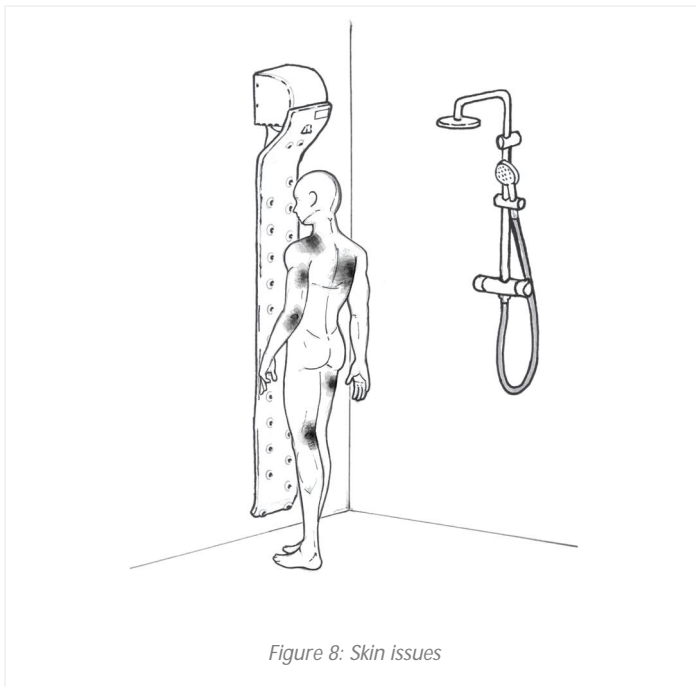


Figure 8: Skin issues

Note: Check *"Control your heat and flow preferences"* on page 6 to adjust the flow rate and heat.

Valiryo has 16 possible working conditions to meet the best one for your particular need.

# 3 Place of use permissible operating conditions

Valiryo can be installed inside the shower space because it has an IP56 Protection Index against the entry of water and dust. Valiryo has a higher IP rating than the one required to install electrical equipment in the wet areas of the shower. (See the chart below)



Figure 9: International Protection Code

	IP protection according to standards	Valiryo
Private places	IP X4	IP 56
Public places	IP X5	

Table 1: IP standards



**IP 56** accredited by the international certificate: **C / 18046512** carried out under the IEC 60529:1989 and IEC 60529:1989/A1:1999 standards, in the independent laboratory, with laboratory accreditation ILAC N° 100/LE257.

This certificate is included in the international certificate: **CB Scheme: BE-8415** accredited by the independent laboratory with laboratory accreditation **ILAC N° 5/LE011**.

## IP code digits explanation

### [5] Protection against harmful dust deposits:

Ingress of dust will not interfere with the satisfactory operation of the equipment.

### [6] Protection against heavy downpours:

Protected to be exposed to powerful water jets. Water projected in powerful jets against the enclosure from any direction does not have any harmful effects.

### 3 Place of use permissible operating conditions



Although it can be installed on any wall of your bathroom, we strongly recommend installing the Valiryo inside the shower area for a better experience, Valiryo is completely safe to use in wet environments by installing the unit according to the instruction described in this manual.

#### Select the best place in your bathroom

In order to enjoy the best experience, we recommend installing the Valiryo inside the shower area.

According to our user experience tests, the optimum place to install Valiryo will be the perpendicular wall to the faucet control. Placing Valiryo close to the faucet but facing perpendicular will make it easy to pre-heat Valiryo by switching on Valiryo 20-40 seconds before finishing your shower.

Pictures below are two samples to give you guidance on where we will install Valiryo.

The examples are meant to help you to select the place to install Valiryo in your bathroom but are not meant to limit the place to install Valiryo. Feel free to install Valiryo where you think it will fit better your needs and your bathroom setup.

The Valiryo does not require any maintenance or the regular replacement of any of its parts. We simply recommend that you clean the surface using a cloth with water.

Examples:

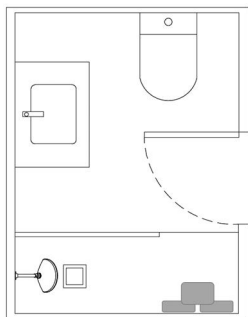


Figure 10: Bathroom layout example 1

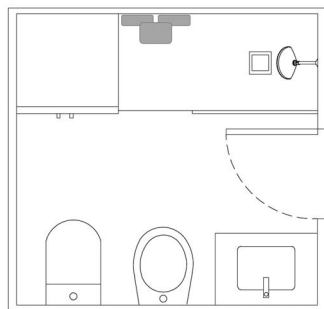


Figure 11: Bathroom layout example 2

Legend:



Valiryo Body dryer

### 3 Place of use permissible operating conditions

Position in the shower area:

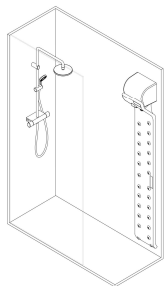


Figure 12: Optimum position

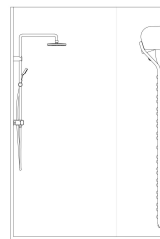


Figure 13: Alternative position (Not the best configuration)

#### Select the height to place Valiryo

Please use the table below to calculate the height you want to place the Valiryo.

The table gives you reference of several user height. Select the height more convenient to the users and be aware of the ceiling height limitation in the last column.

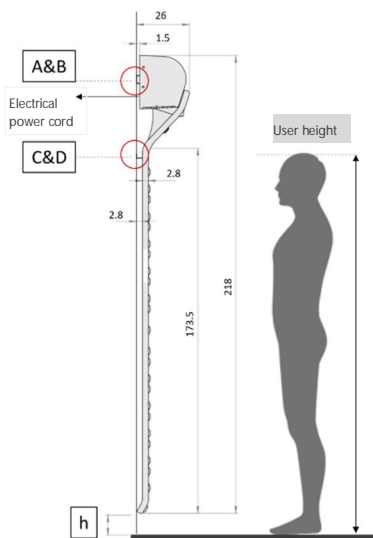


Figure 14: User high schematic

All dimmesions are reference to the floor surface

All dimmesions are expressed in cm

User height	A&B Up- Case holes	Electrical power cord	C&D Column/ panel holes	h Lower point of Valiryo	Minimum room height to install Valiryo
160 or lower	205	194.5	171.5	0.5	220
170	210.5	200	177	6	226
180	215,5	205	182	11	231
190	219.5	209	186	15	235
200 or higher	224.5	214	191	20	240

Total Valiryo height= 218 cm

Figure 15: Table to calculate optimum height

### 3 Place of use permissible operating conditions

Measure the height of the room where Valiryo will be installed and make your calculations before drilling.

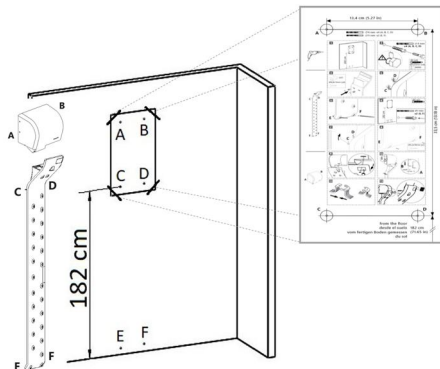


Figure 16: Example of an installation for a 180cm user, using the stencil included in the Valiryo panel box

#### Minimal general dimensions to install Valiryo



##### Height

The minimum height needed to install Valiryo is 2.2 meters from the floor to the ceiling.

The recommended height is 2.30 meters, as it is recommended to have 10 cm from the floor to the inferior part of Valiryo, to take advantage of the use of the lower diffusers to dry the feet.



##### Air Inlet

Make sure the air inlet areas (shown in the picture below) are free to avoid any clogged that will underutilize the flow rate of the motor.

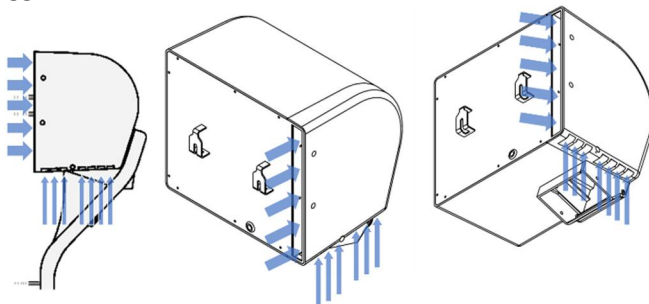


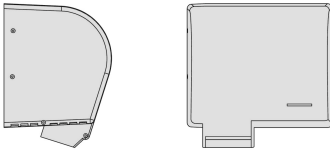
Figure 17: Air inlet

# 4 Indication of the material

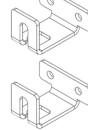


Once the box is unpacked, make sure all assembly elements are present and in optimal conditions. In case of doubt, consult the technical service

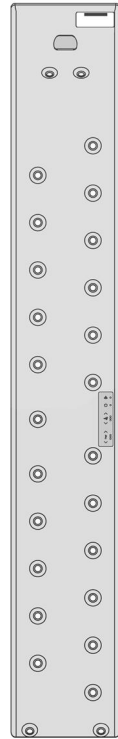
Up-case



Expansion anchors

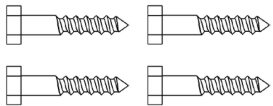


Panel

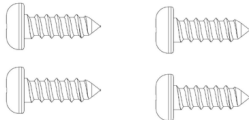


Screws

Ø5x25mm (x4)



Ø4,8x13mm (x4)

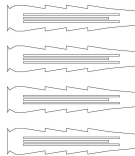


Ø3,2x19mm (x2)

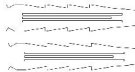


Wall plugs

Ø6 (x4)



Ø5 (x2)



Stencils



Plate



Spanner





## 4 Indication of the material



Valiryo must be affixed to the wall and positioned vertically. Do not plug Valiryo in until it is properly secured.

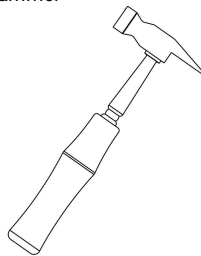


### Needed tools

Ø6 mm and Ø5 mm  
drill bits



Hammer



Magnetic screwdriver



# 5 Assembly and installation instructions



Follow the next steps in order to carry out a proper installation



It is recommended that two people conduct the installation together.



Valiryo can be installed inside or outside the shower space.



Prior to installing Valiryo, make sure the distance between the room's floor and the ceiling is at least 2.20 m. See Select the height to place Valiryo in page 14.



This is a very simple installation. Do read the instructions carefully.

## 1 Drill 4 holes on the wall

**1** Use the stencil to mark the 4 holes on the wall

Check section "Select the height to place Valiryo" on page 14 to determine the height where you are going to place the unit.

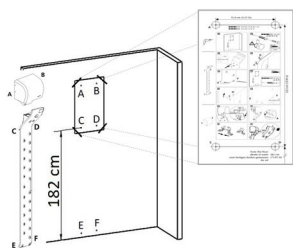


Figure 18: Representation where holes C&D are placed 182 cm from the floor.

**2** Drill the 4 holes using a 6 mm drill bit



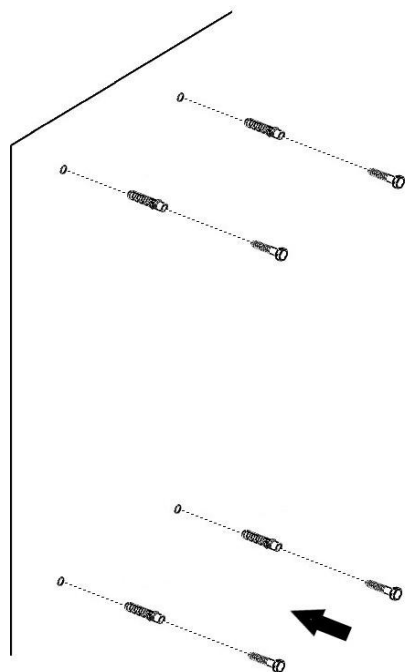
Make sure the drill bit you are using is suitable for the surface aimed to be drilled



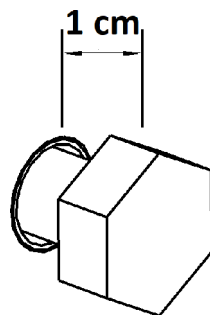
Ø 6 mm

## 5 Assembly and installation instructions

**3** In each hole made with a  $\varnothing$  6 mm drill, insert 1 wall plug, first by hand and then using a hammer so that it is fully inserted into the wall.



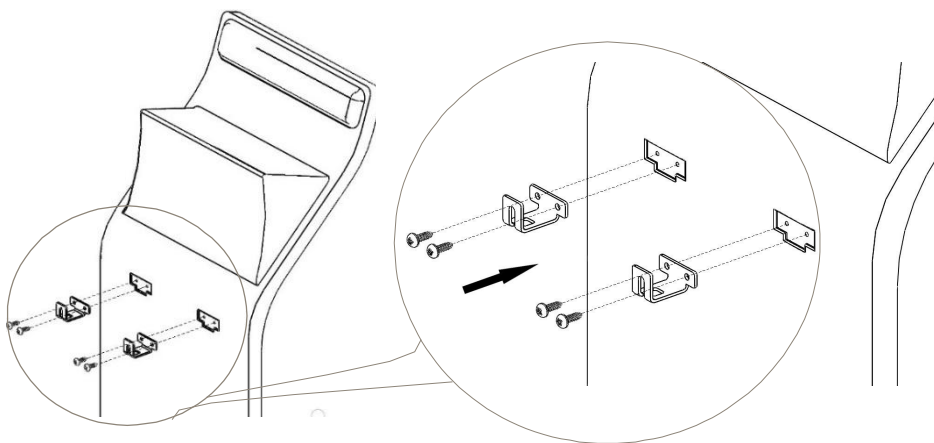
Insert hex-cap screws  $\varnothing$ 5x25mm (x4) into each wall plug and screw them in until 1 cm sticks out.



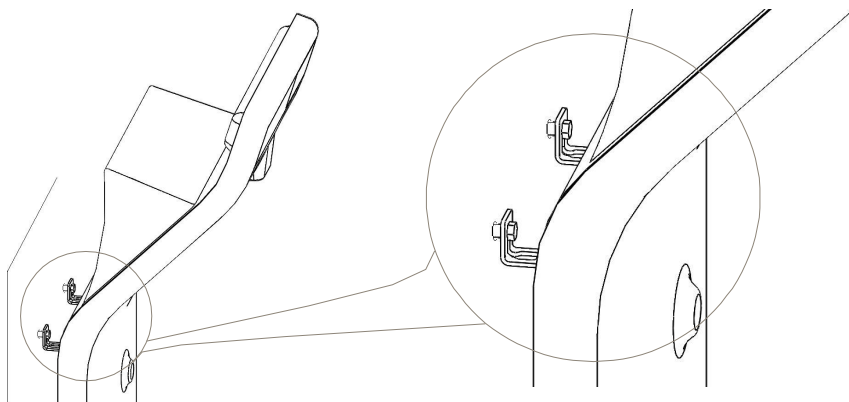
# 5 Assembly and installation instructions

## 2 Install VALIRYO's panel

**1** Attach the expansion anchors to the panel by inserting the  $\text{Ø}4.8 \times 13$  mm (x4) screws

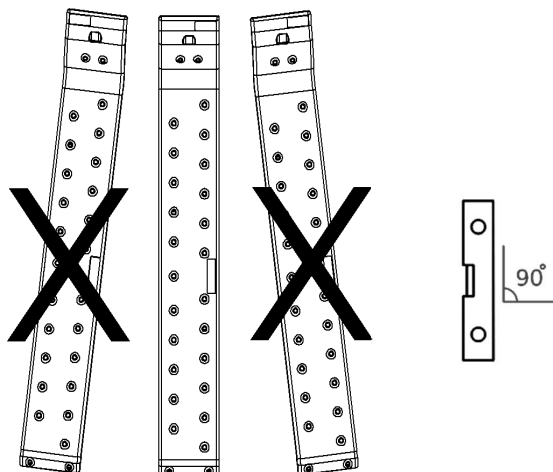


**2** Attach the expansion anchors to the wall screws.

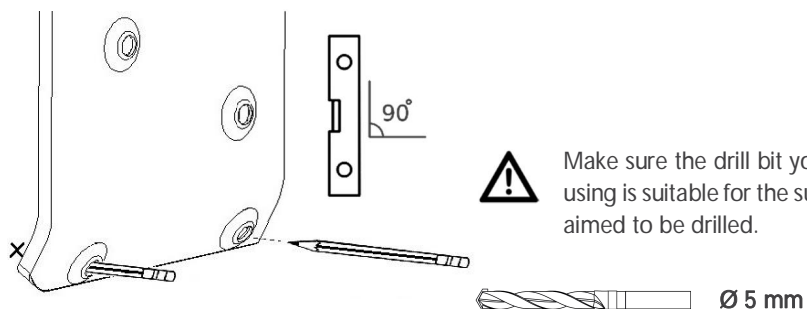


## 5 Assembly and installation instructions

- 3** Make sure the panel is fully straight

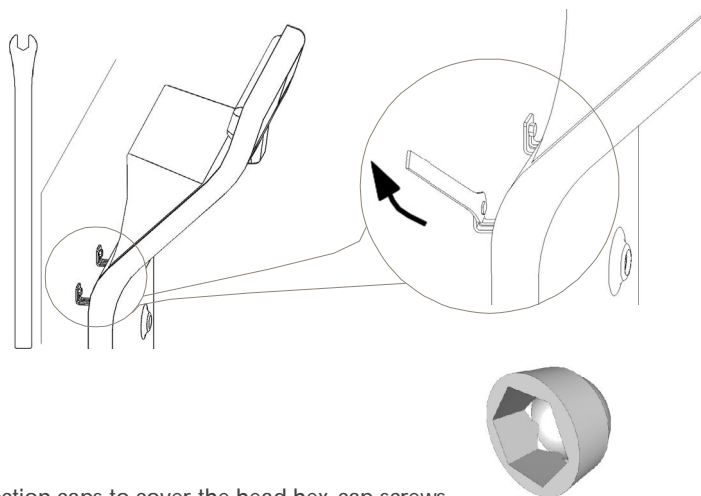


- 4** As for the lower fasteners, mark the wall with a pencil. Remove the panel, drill two holes accordingly and insert the wall plugs



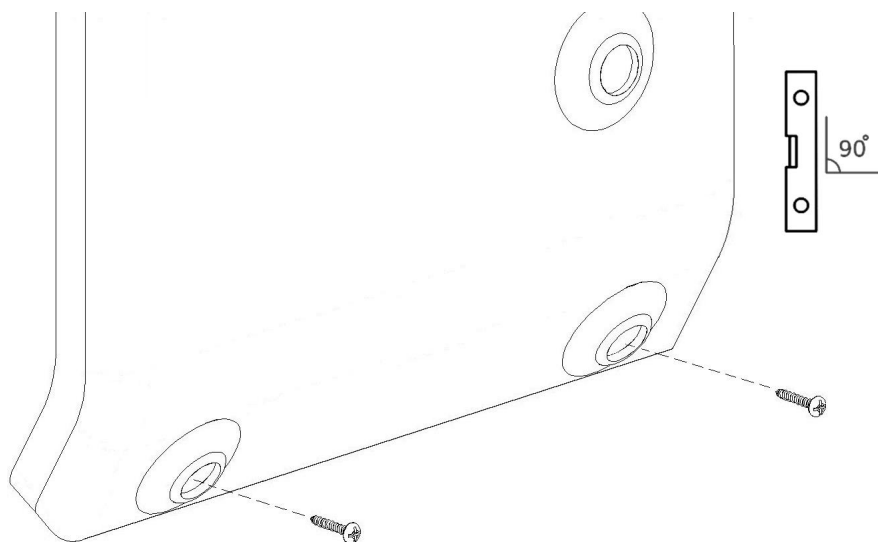
## 5 Assembly and installation instructions

- 5** Place the panel back on the screws and tighten them with a spanner



Use bolt protection caps to cover the head hex-cap screws

- 6** Tighten the panel until it is completely secured and stable.



Use a magnetic screwdriver to screw both  $\text{Ø}3.2 \times 19$  mm (x2) screws without losing them inside the panel.

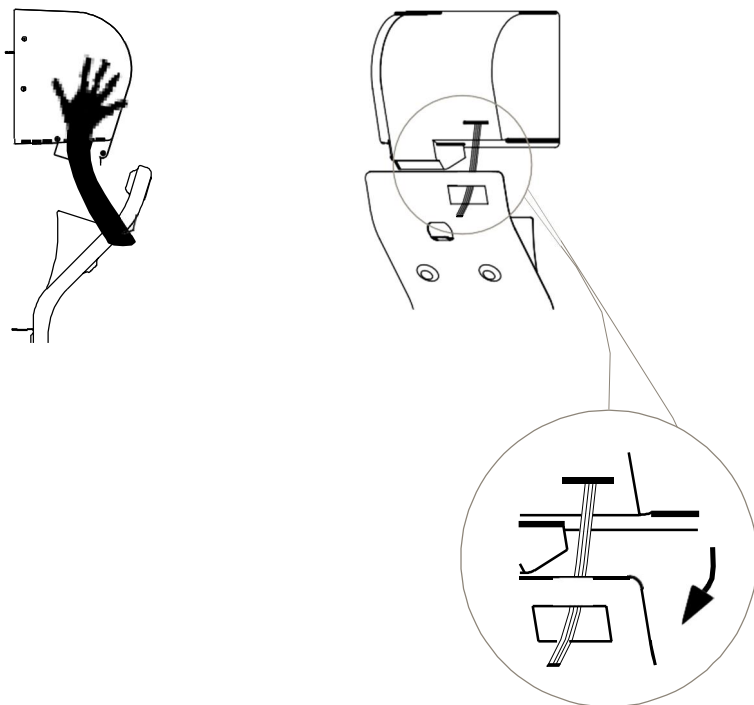
# 5 Assembly and installation instructions

## 3 Install VALIRYO's up-case

 The following steps need two people to correctly conduct the installation.

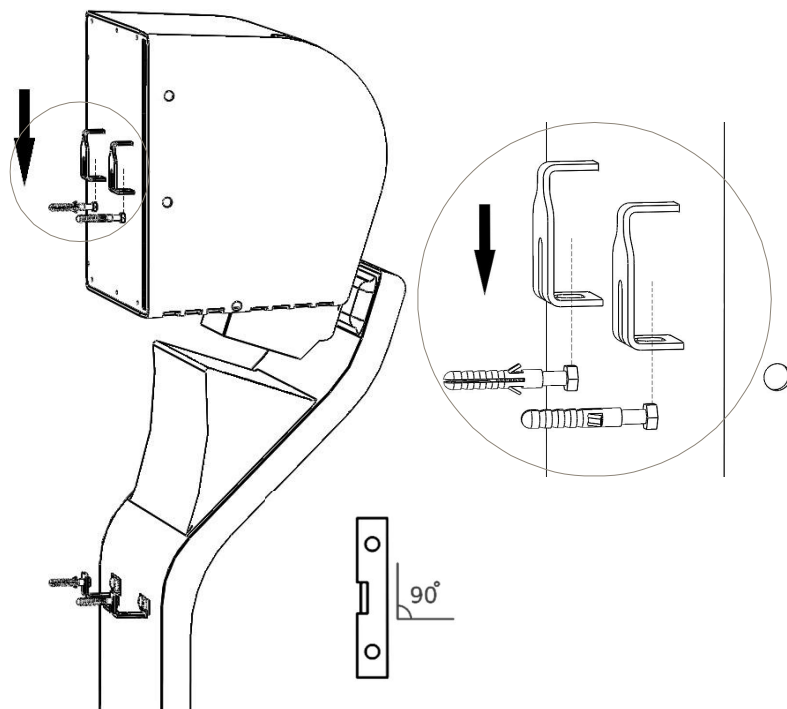
**1** One person should hold the up-case and suspend it between the wall and the column or panel.

**2** Simultaneously, another person can slip the connection wire through the panel slot.



## 5 Assembly and installation instructions

**3** Place the case on the 2 upper hex-cap screws on the wall. You will see that the box fits the panel perfectly. Tighten the screws and make sure the panel is straight.





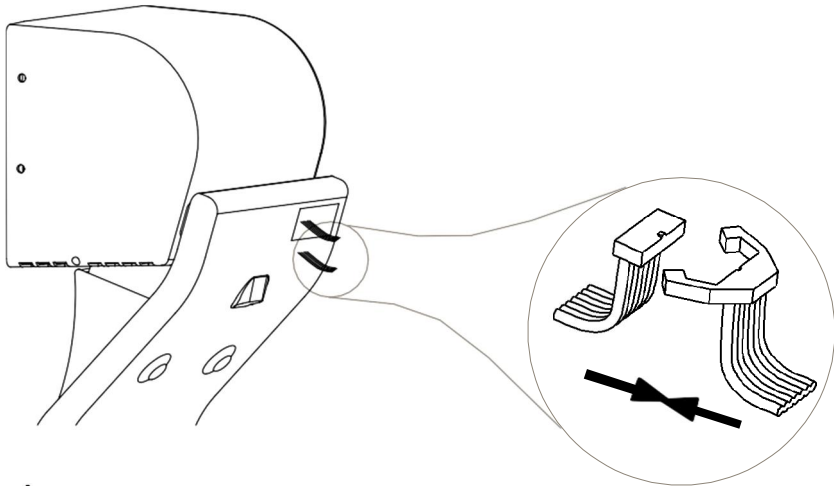
# 5 Assembly and installation instructions

## 4 Connect the wire

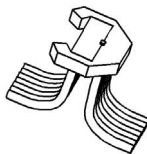


Prior to connecting the wire, make sure Valiryo® is not connected to the power network.

**1** Connect the up-case wire with the corresponding wire coming from the panel.



Make sure the wire fit together perfectly.



Tip: place a level on top of the upcase of Valiryo to ensure the unit is completely straight and tighten the screws shown on the previous step.

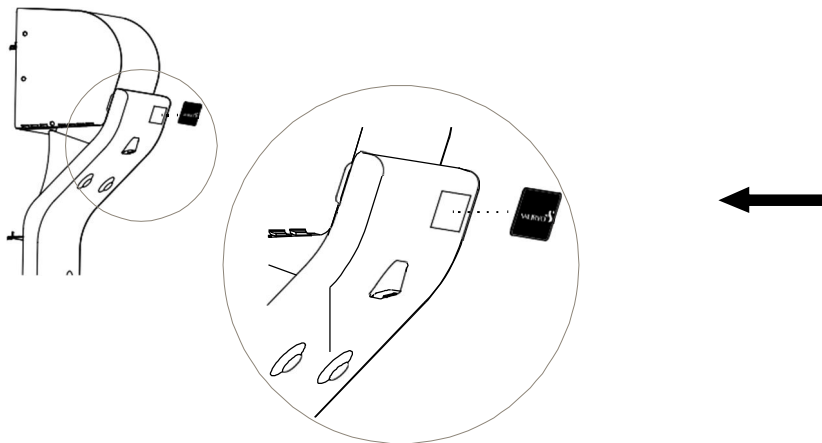
**2** Connect Valiryo to the electrical network (explain in detail in chapter 6 Electrical installation. Turn it on to confirm it works (find the control pad's instructions on page 5)



Test the dryer and make sure it works properly

## 5 Assembly and installation instructions

**3** Plug Valiryo out of the electrical network, introduce the wire into the panel's slot, remove the adhesive paper from the branded plate and stick the branded plate on Valiryo.



# 6 Electrical installation



Valiryo body dryer power consumption is 2800 W and must be connected to 220 – 240 V.

## Electrical data

Voltage	220-240 V~; 50-60 Hz
Amperage	12A
Power	2800 W
Insulation Class	Class II



Table 2: Electrical data



### Important disclaimer:

Your regional regulation prevails any recommendation mentioned in this chapter. Please follow your local electrical legislation. This chapter is meant to guide with a good electrical installation but does not overwrite any electrical standard. (For example: "NEC" "AS/NZS 300"...). If you are not a professional electrician, please contact one to perform the electrical installation. All electrical installations must be carried out under the conditions set by the local standards.

## Recommended Installation

It is recommended to isolate Valiryo 's installation using a magneto thermic switch of 16 A. To additionally protect the installation, it is recommended to install a residual current disconnection device (RCD), not higher than 30 mA in the electrical circuit of the equipment according to IEC 60364-4-41:2005.

## 6 Electrical installation

Electrical connection:

Option 1: Permanent installation: Cut the power plug to access "L" and "N" wires on the appliance. Enter the power cable inside the false ceiling and make the electrical connection with the facility electrical network inside the false ceiling.



Option 1 is the recommended one by the Valiryo team. This permanent solution will enable the Valiryo to be placed inside the shower cabin.

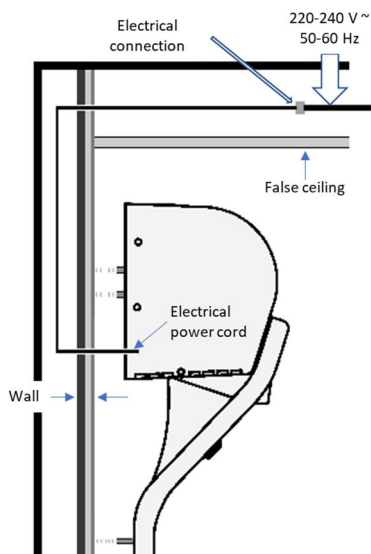


Figure 19: Permanent Installation (1A)

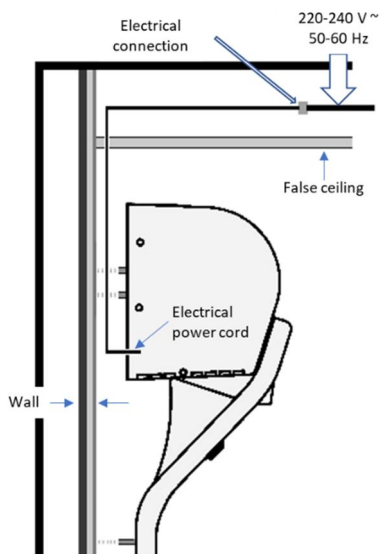


Figure 20: Permanent Installation (1B)

Option 1A: Permanent installation through the other side of the wall. Perfect solution if you can arrange the position of the power cable during construction phase or on a deep bathroom renovation.

Option 1B: Permanent installation through the false ceiling. Perfect solution if you are installing Valiryo without any bathroom renovation.

## 6 Electrical installation

Option 1C: If you do not have a false ceiling in your bathroom, you can put inside the wall a concealed cable duct to put inside the power cable of Valiryo . You can make the electrical connection in a standard electrical box. The recommended height for concealed cable duct installation is 208 cm from the floor.

To easily handle the upper case during installation or uninstallation, it is recommended to insert 10 cm of cable inside the upper case to make it easy.

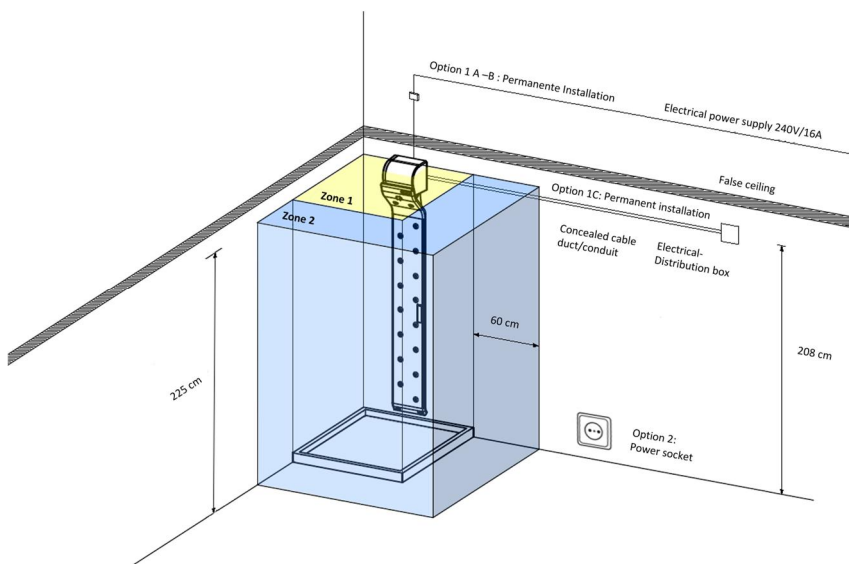


Figure 21: Electrical installation options

Option 2: Plug in directly to the Power socket. Be aware the power socket must be outside the zone 1 and zone 2 see *Figure 21: Electrical installation options*. Placing Valiryo outside the shower cabin is not recommended, as you have to leave the warm shower area and the user experience will not be as pleasant as designed.

# 6 Electrical installation

Refer to our map below to see your location's voltage.

## Global Voltage map

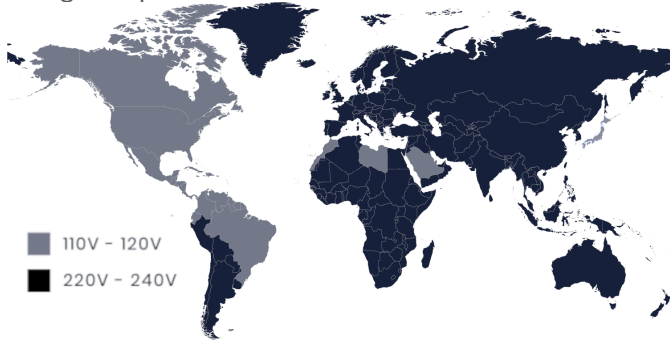


Figure 22: Global Voltage map

As explained in Table 2: Electrical data (page 27) Valiryo must be connected at 220-240 V. Too low of a voltage won't supply enough power for Valiryo to function.

The following electrical schematics are examples. Do not hesitate to contact us to help you out on your electrical installation. We are always happy to help ensure that we go beyond our customers' expectations as we deliver high-quality products

### 220-240 V~; 50-60 Hz Network

Examples: European countries, Russia, China, , Australia...

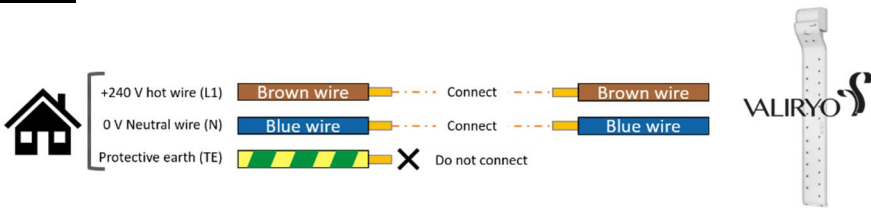


Figure 23: Example using wire Color Codes in Europe (IEC) for AC supply

### 110-120 V~; 50-60 Hz Network

Examples: USA, Canada, México

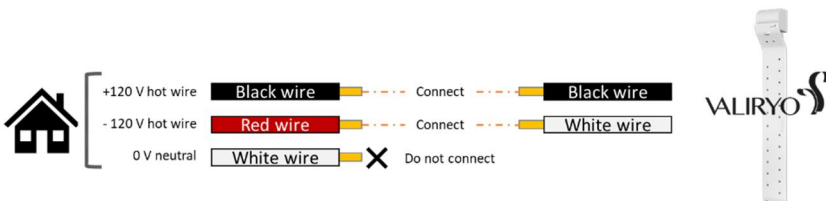


Figure 24: Example using 120 Volt AC Wiring Color Codes in the USA.

# 7 Existing risks of use and contraindications and security warnings

## Electrical risk

All electrical installations must be carried out under the conditions set by the local standards. Install Valiryo according to your regional electrical regulation and legislation. Valiryo recommends that the electrical installation is carried out by a professional electrician.

For additional information see chapter 6 Electrical installation on page 27

## Downfall

Follow indications in chapter 5 Assembly and installation instructions on page 18 of this manual to have a proper and secure installation and avoid any downfall risk.

## Overheat

Do not expose your skin too long.



Valiryo shuts down automatically 9 minutes after it is turned on. This characteristic gives the appliance additional security and savings.

This safety feature prevents Valiryo to stay on and consume unnecessary electrical power if the user is careless or absent minded.

## 7 Existing risks of use, contraindications and security warnings

### Security warnings



#### Important security warnings

- 1** NEVER block the air outlet jets of the appliance. DO NOT obstruct the air-flow intake.
- 2** DO NOT hang anything on Valiryo. DO NOT allow children to play with Valiryo or to climb on it. They should be carefully supervised when using Valiryo. Valiryo is not recommended for children under 8 years of age.
- 3** Control Pad requires a light touch only.
- 4** Once fully dried, turn Valiryo setting to OFF. Do not expose to periods after drying.
- 5** Clean Valiryo with neutral, non-aggressive products.
- 6** Never power up your Valiryo while still wrapped
- 7** Do not use outdoors or operate where aerosol (spray) products are being used or oxygen is being administered.
- 8** Follow the assembly instructions provided. See chapter 5 Assembly and installation instructions. Follow the operating instruction provided. See chapter 2 Instructions for use. The manufacturer does not take responsibility for inappropriate use of Valiryo or its partial or total modification. Use this appliance only for its intended use as described in this manual. Do not use product accessories not recommended by the manufacturer.
- 9** For additional protection the installation of a residual current device (RCD) with a rated residual operating current not exceeding 30 mA is advisable in the electrical circuit supplying the bathroom. Ask your installer for advice. To avoid the danger of injury by electrical shock, NEVER attempt to repair the appliance yourself or make any adjustments. Any repair or adjustment to be performed at an authorized service center. Tampering with the appliance will void the warranty. If the power cable is damaged, it must be replaced by the manufacturer or qualified persons in order to avoid a hazard.
- 10** All Installations of Valiryo electrical connections and subsequent circuit checks MUST be undertaken by a qualified electrical engineer. NOTE: In many areas, a Part P Minor Works Certificate is a legal requirement. This certificate could be called upon should you sell your property or in event of an insurance claim..





# 8 Cleaning / disinfection / maintenance instructions

The cleaning of Valiryo is very easy, we recommend wiping the surface with a wet microfiber cloth. We highly recommend not use aggressive cleaning products.

Valiryo can be cleaned with commercial disinfection products. Be aware using aggressive products with very high chemical concentration can be harmful.

Valiryo 2.0 does not require any maintenance, all the components have been chosen and designed to last more than 70 years without needing any type of maintenance.



The processed materials are highly durable and therefore appropriate for public and frequent use.

Valiryo Body dryer do not have filters because they are not necessary.

Air inlet is 2 meters above the ground see Figure 17: Air inlet in page 15. The inlet air is the same air that the user is breathing. If Valiryo is located in the bathroom it is almost certain that the air is clean since the bathrooms have a forced air extraction system that eliminates dust. In addition, the humidity produced by the shower cleans the air of particles such as dust and odors.

There is no need for a hygienic and antibacterial filter (as may be necessary in an air conditioner), since Valiryo body dryer has a silver ions treatment that produces an anti-germ effect.



Valiryo ABS material contains silver ions to eliminate bacteria and fungi by attacking their ability to grow and reproduce, thus preventing the proliferation of pathogenic microorganisms.

Valiryo materials are highly durable and therefore appropriate for public and frequent use. In addition, the geometry of Valiryo is designed to avoid water accumulation inside and therefore there is no possibility of stagnant water and bacterial growth.

The use of hygienic and antibacterial filter might lead into power loose once the filter is clogged, regular maintenance and filter deterioration if the material is not appropriated for wet environments.

# 9 Technical data/parameters

## OPERATION INFO

Sensor: position-sensitive detector and infrared.

Drying time: 3 minutes \*.

Automatic stop time: 9 minutes.

Air speed: > 100 km/h / 62.14 mph

Number of diffusers: 27

Decibels: Range (66 dB to 69 dB)\*\*

## LOGISTICS

Valiryo Weight: 9.8 kg / 21.6 lb

Packaging Weight: 2.1 kg / 4.5 lb

Dimensions: 218 x 29.5 x 2.8 cm / 85.83 x 11.61 x 1.10 in

## SAFETY

Protection index IP56.

Area inside the bathroom (Also shower area)

## ELECTRIC INFO

Input Voltage/Frequency: 220-240 V / 50-60 Hz

Power: Range (133 watts to 2800 watts)

Motor speed: 5000 rpm

Max intensity consumption: 12 A

Energy consumption on each use: Range (0,038 kWh to 0,143 kWh)

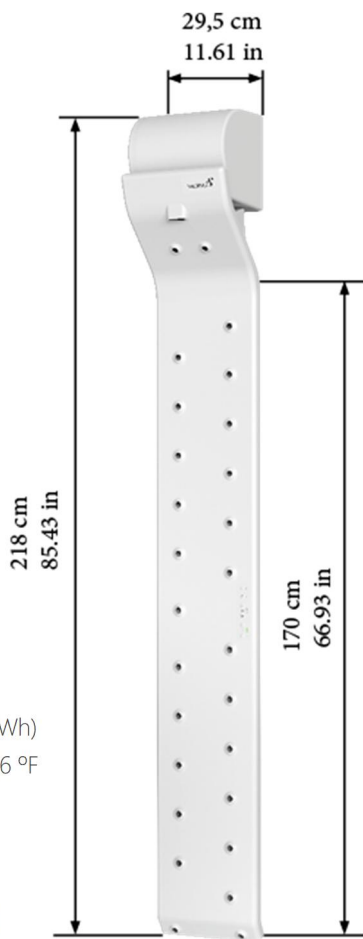
Temperature increases over room temperature: + 32 °C / + 89.6 °F

## STRUCTURE

Materials: ABS + PMMA

Antibacterial treatment: silver ions

Installation: flat wall (strongly recommended inside the shower)



\* Average drying time

\*\* A modern hairdryer produces 85 dB)

Temperature and speed variation between upper and lower diffuser: < 2 %





This manual has been printed using 100 % Recycled Materials

